

3XLOGIC

VISIX VX-2M-OD-RIAWH 2MP Outdoor Dome Camera

Quick Start Guide

Ver. 1.0 / 2020.04

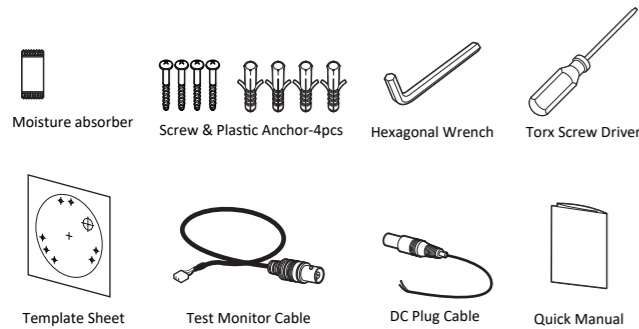
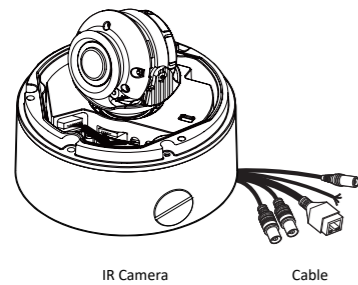
Before installing and using the camera, please read this manual carefully.
Be sure to keep it handy for future reference.



a. This device complies with Part 15 of the FCC Rules. Operation is subject to the following two conditions:
1. This device may not cause harmful interference.
2. This device must accept any interference received, including interference that may cause undesired operation.
Note: This equipment has been tested and found to comply with the limits for a Class A digital device, pursuant to part 15 of the FCC Rules. These limits are designed to provide reasonable protection against harmful interference when the equipment is operated in a commercial environment. This equipment generates, uses, and can radiate radio frequency energy and, if not installed and used in accordance with the instruction manual, may cause harmful interference to radio communications. Operation of this equipment in a residential area is likely to cause harmful interference in which case the user will be required to correct the interference at his own expense.

b. This device complies with CAN ICES-3 (A)/NMB-3(A)
c. This device is UL and ULC E467574 (Safety) certified.
d. This device complies with CE 2014/30/EU – EMC Directive, 2015/863/EU RoHS3 as part of 2011/65/EU RoHS
e. This device complies with WEEE

Step 1. Product & Accessories



NOTE: The 'Test Monitor Cable' is used to test the camera by connecting to a portable display.

Safety Information

CAUTION
RISK OF ELECTRIC SHOCK.
DO NOT OPEN

CAUTION:
TO REDUCE THE RISK OF ELECTRIC SHOCK, DO NOT REMOVE COVER (OR BACK) NO USER SERVICEABLE PARTS INSIDE. REFER SERVICING TO QUALIFIED SERVICE PERSONNEL.

This symbol indicates that dangerous voltage consisting a risk of electric shock is present within this unit.

This exclamation point symbol is intended to alert the user to the presence of important operating and maintenance (servicing) instructions in the literature accompanying the appliance.

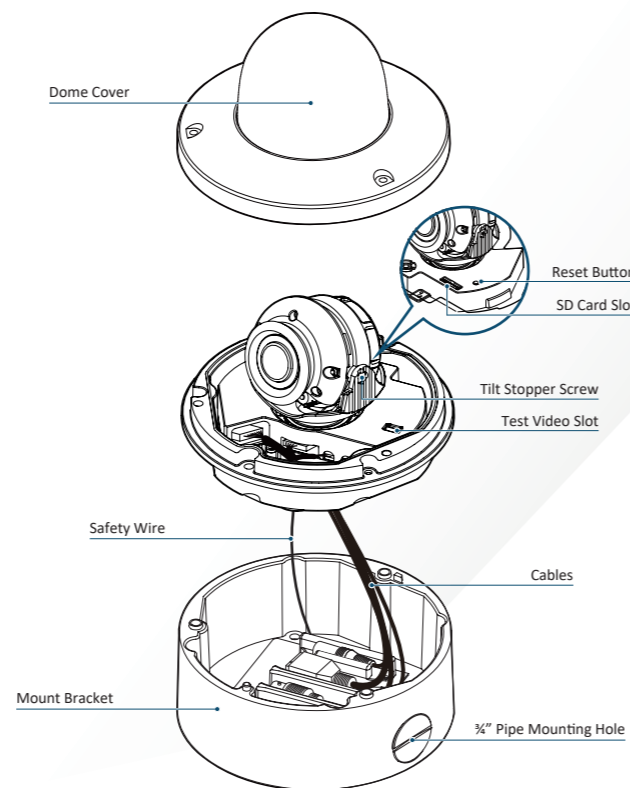
WARNING

To prevent damage which may result in fire or electric shock hazard, do not expose this appliance to rain or moisture.

WARNING

- Be sure to use only the standard adapter that is specified in the specification sheet. Using any other adapter could cause fire, electrical shock, or damage to the product.
- Incorrectly connecting the power supply or replacing battery may cause explosion, fire, electric shock, or damage to the product.
- Do not connect multiple cameras to a single adapter. Exceeding the capacity may cause abnormal heat generation or fire.
- Securely plug the power cord into the power receptacle. Insecure connection may cause fire.
- When installing the camera, fasten it securely and firmly. A falling camera may cause personal injury.
- Do not place conductive objects (e.g. screw drivers, coins, metal things, etc.) or containers filled with water on top of the camera. Doing so may cause personal injury due to fire, electric shock, or falling objects.

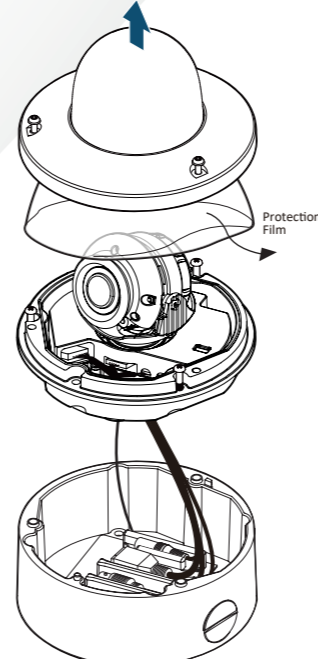
Step 2. Part Name



Step 3. Disassemble the Camera

Before installing your camera, please read the following cautionary guidelines:

- You have to confirm whether the install location can bear five times of the weight of your camera.
- Do not let allow the cable to be pinched or caught and be sure not to damage the power line. This may lead to fire.
- When installing your camera, do not allow any person to approach the installation site. If you have any valuable underneath the install location, move them



- Detach the dome cover from the bottom case using the supplied torx before installing the camera.
- Before installing the camera, remove the protective film.



- Reset to the Factory Default**
Press the reset button for 5 seconds to return the setup to the factory default.
- Warning:**
If you press the 'Reset' button, you will lose all settings data. If needed, please, make a note of required settings before resetting.

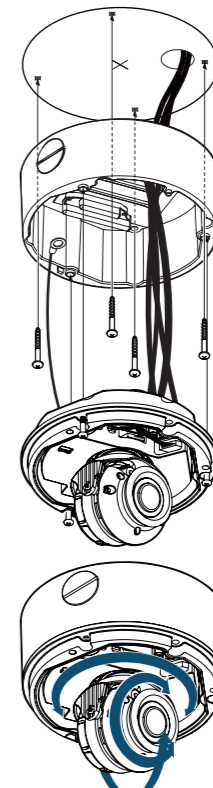
Important Safety Instructions

WARNING

- Read these instructions.
- Keep these instructions.
- Heed all warnings.
- Follow all instructions.
- Do not use this apparatus near water.
- Clean only with dry cloth.
- Do not block any ventilation openings. Install in accordance with the manufacturer's instructions.
- Do not install near any heat sources such as radiators, heat registers, or other apparatus (including amplifiers) that produce heat.
- Do not defeat the safety purpose of the polarized or grounding-type plug. A polarized plug has two blades with one wider than the other. A grounding type plug has two blades and a third grounding prong. The wide blade or the third prong is provided for your safety. If the provided plug does not fit into your outlet, consult an electrician for replacement of the obsolete outlet.
- Protect the power cord from being walked on or pinched particularly at plugs, convenience receptacles, and the point where they exit from the apparatus.
- Only use attachments/accessories specified by the manufacturer.
- Use only with cart, stand, tripod, bracket, or table specified by the manufacturer, or sold with the apparatus.
- Unplug this apparatus when a cart is used. Use caution when moving the cart/apparatus combination to avoid injury from tip-over.
- Refer all servicing to qualified service personnel. Servicing is required when the apparatus has been damaged in any way, such as power supply cord or plug is damaged, liquid has been spilled or objects have fallen into the apparatus, the apparatus has been exposed to rain or moisture, does not operate normally, or has been dropped.

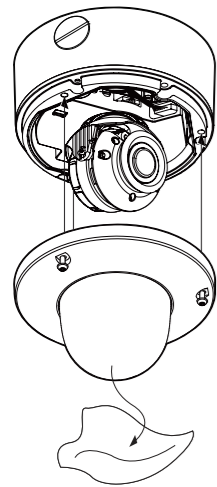


Step 4. Installation



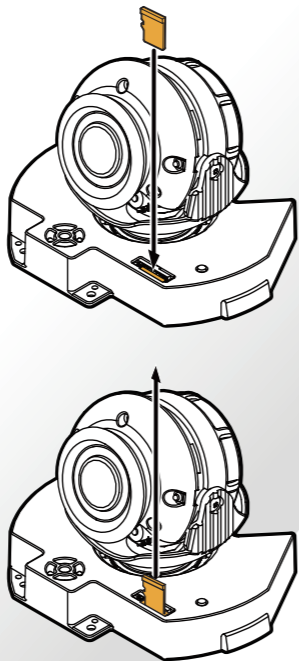
- Drill Necessary Holes**
Using provided template sheet, drill holes on the ceiling panel at the desired install location.
- Attaching Mount bracket**
By tightening the provided four screws, attach the mount bracket on the panel.
- Connecting Cables**
Connect the power, audio, alarm and network cables respectively.
- Mounting Camera mechanism**
After passing the cabling through the cable outlet in the bottom of the bracket, align the three screws in the camera mechanism to be inserted into the mount base.
- Adjusting Camera Angle**
To achieve desired view direction and orientation, rotate 3-axis gimbal. To fix the setting, tighten the Tilt stopper screw.
- Adjusting View Angle**
Set view angle using the adjustmnet screws.

Step 4 cont'd



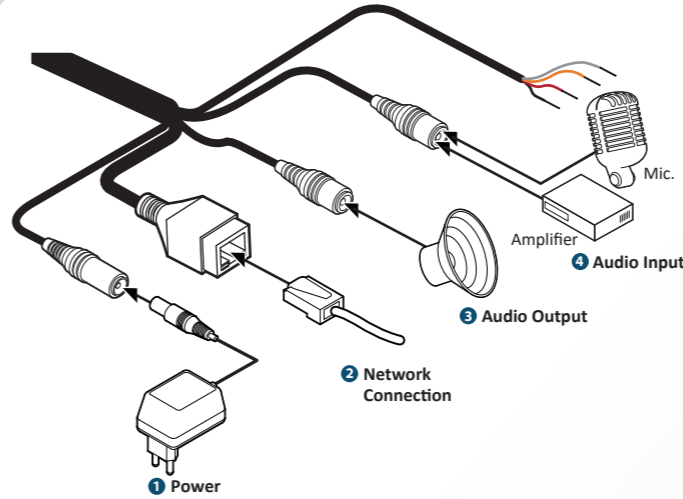
- 7 Attaching the Dome cover**
After placing dome cover on to the bracket properly, tighten the three TORX screws.
- 8 Detach the Protective Film**
Detach the protective film from the dome cover.

Step 5. Inserting / Removing SD Card



- 1 Inserting an SD Memory Card**
Insert the SD card in the direction of the arrow.
⚠ Do not insert the SD memory card while it's upside down by force. Otherwise, it may damage the SD memory card.
- 2 Removing an SD Memory Card**
Remove the SD card gently by pressing down on the exposed end of the memory card as shown in the diagram to eject the memory card from the slot.
⚠ Pressing too hard on the SD memory card can cause the card to shoot out uncontrollably from the slot when released.
⚠ If you have saved data in the SD memory card, removing the SD memory card prior to setting record to OFF will cause damage to the data stored in the card.

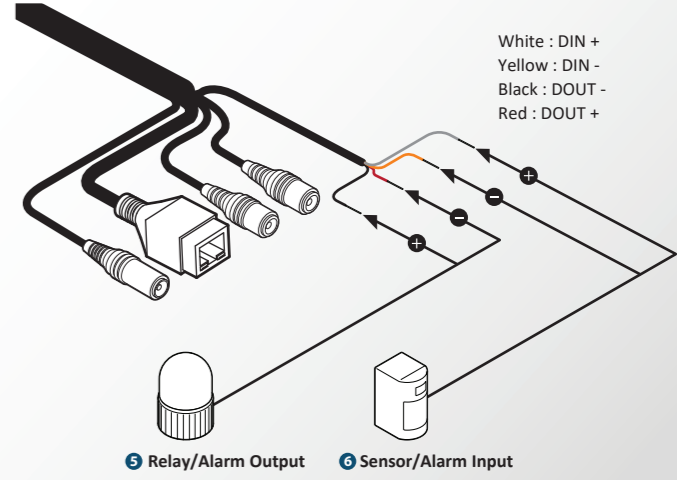
Step 6. Cabling



- 1 Power Connection**
Please, check the voltage and current capacity of rated power carefully.

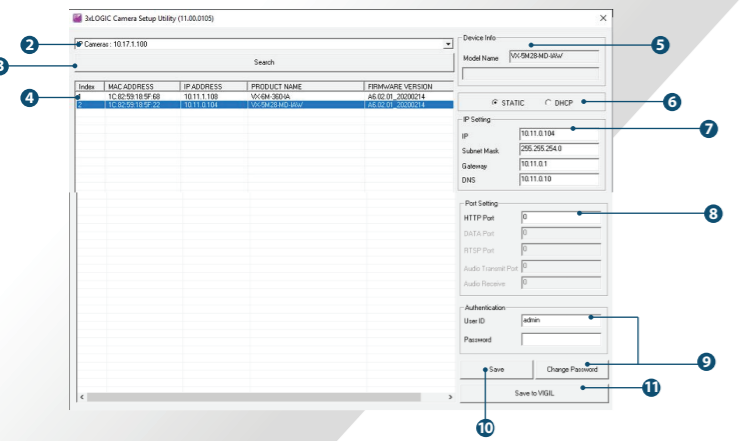
Rated Power	Current Consumption	PoE
DC 12V	7.5W	IEEE 802.3af Class3

⚠ WARNING - DC Plug Cable
The DC Plug cable can be used when you need to extend the power cable. please notice that one black cable aligned with with the line stands for the plus polarity.
- 2 Network Connection**
- 3 Audio Output**
Connect the 'Audio Out' cable of the camera to device (speaker, etc...).
⚠ Audio Out supports only RTSP Back Channel function.
- 4 Audio Input**
Connect the 'Audio In' cable of the camera to a microphone.



- 5 Relay/Alarm Output**
Can be connected to alarm lights, siren, lamps, etc.... Relay trigger settings can be activated and configured in browser UI.
- 6 Sensor/Alarm Input**
Can be connected to an IR sensor, IrDA sensor or door switch, etc.... If the sensor is activated, it can activate to trigger an alarm device.

Step 7. IP Installer / Adding to VIGIL Server

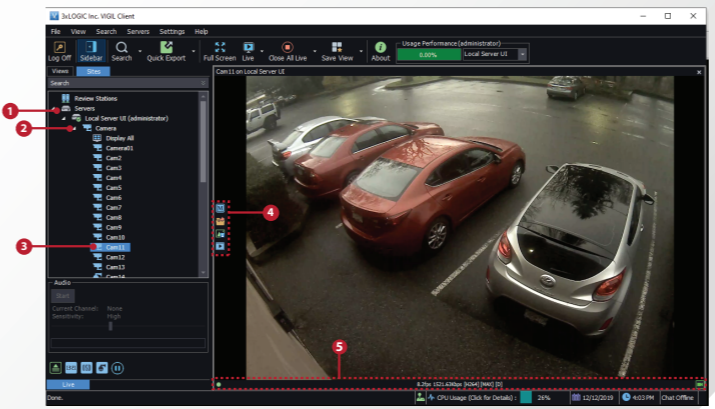


- 1 Run the 3xLOGIC Camera Setup Utility**
 - i. Download and install the latest version of the utility at www.3xlogic.com.
 - ii. Navigate to **Start > Programs > VIGIL-Utilities** and launch the VIGIL Firewall Utility. Create a firewall rule for **VISIXIPSetup-B Utility** if one has not already been created.
 - iii. Launch VIGIL Server, navigate to **Settings > Cameras**.
 - iv. Select the desired camera channel from the treeview.
 - v. Open Network Camera Settings and set the **Type** to **VISIX-IP-B**.
 - vi. Click the **Detect Camera** button. The utility will now launch.
- 2 Click on Network Adaptor selection Menu (NIC) after the utility deploys.**
- 3 Select the NIC associated with your cameras then click on the Search button.** Allow the utility time to identify cameras.
- 4 Select the desired camera.**
- 5 The information of the selected camera will be shown in Device Info.**

- 6 Select the network type.**
 - 1** The default network type of the camera is DHCP mode.
 - 2** If you have a DHCP server, it will automatically set the Camera IP.
 - 3** If you do not have a DHCP server, Camera IP is set to 192.168.1.80 after one minute.
- 7 Input IP settings information when the network type is set to STATIC. Always click Save after changing IP Settings.**
 - 1** Default TCP/IP information
 - IP: 192.168.1.80
 - Subnet Mask: 255.255.255.0
 - Gateway: 192.168.1.1
 - DNS : 168.126.63.1
- 8 Change the port as necessary when the network type is set to STATIC.**
 - 1** A 'Port Forwarding' has to be set for external access to the camera.
 - 2** Refer to the manual of the network hub for 'Port Forwarding' settings.
 - 3** An additional change of HTTPS, RTSP port can be done at Web Viewer > Admin page.
- 9 Change Password.**
 - 1** Default ID / PW : admin / admin
 - ⚠ The default user ID and password must be changed for security reasons. Video will not stream from the camera until the default admin password is changed. Enter the default credentials (**admin / admin**) and click **Change Password**. Enter and confirm a unique password, and click **OK** to complete the change.
 - ⚠ The ID and PW will be set to default value when a 'factory reset' is performed on the camera.
- 10 Make sure to click the Save button to save changed values.**
 - ⚠ An Apply message will deploy when the settings are applied normally, or an error message will deploy if the settings fail to apply. This step saves settings to the camera itself.
- 11 After applying the new camera settings, click Save to VIGIL**
 - ⚠ This step saves the camera to the VIGIL Server software. The camera will occupy the camera channel you selected in Step 1 (iv) of this section.
 - ⚠ Rebooting or Resetting the Camera to Factory Settings
If a factory reset is required, login to the camera's browser interface (enter IP into a browser URL bar and login to the camera) then navigate to **Setup > System > Factory Reset**. To perform a basic camera restart, Navigate to **Setup > System > Restart**

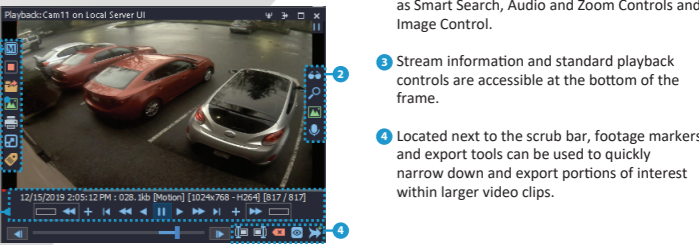
Step 8. Viewing Camera in VIGIL Client

After adding the camera to VIGIL Server, 3xLOGIC recommends VIGIL Client for viewing live and playback. Client's powerful tool set can be leveraged by users to thoroughly and quickly review camera footage and other data collected by a VIGIL Server. After adding a VIGIL Server to VIGIL Client, refer to the steps in this section for details on viewing the camera's footage in VIGIL Server.




- 1** After launching VIGIL Client, extend the **Servers** node located in the Sites tab treeview then double-click the desired VIGIL Server to reveal available devices and tools.
- 2** Expand the **Camera** node to reveal the VIGIL Server's cameras.
- 3** Double-click the desired camera. The camera's live stream will be automatically displayed in the viewing area.
- 4** Live Edge Controls instantly grant the user access to common tools such as Capture Still Image, Instant Replay and Stream Type Selection.
- 5** Stream information such as FPS rate, bitrate and CODEC type are listed when the cursor hovers over the bottom edge of the frame.

Select Instant Replay from the Live Edge Controls to open the last 5 minutes of footage from the camera or perform a playback search to review a custom time range of playback. A Playback viewer featuring the requested footage will deploy.



For further details on reviewing and exporting playback and other advanced features such as audio recording and two-way audio talk, POS Data OSD and more, please visit www.3xlogic.com and consult the product documentation library for VIGIL Client-related support documentation.

Disposal of Old Appliance

-  1. When this crossed-out wheel bin symbol is attached to a product it means the product is covered by the European Directive 2002/96/EC.
- 2. All electrical and electronic products should be disposed of separately from the municipal waste stream in accordance with laws designated by the government or the local authorities.
- 3. The correct disposal of your old appliance will help prevent potential negative consequences for the environment and human health.
- 4. For more detailed information about disposal of your old appliance, please contact your city office, waste disposal service or the shop where you purchased the product.